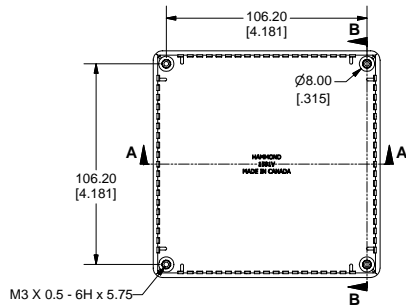


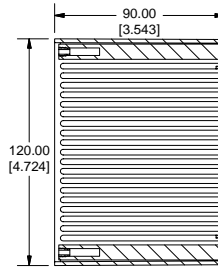
1591V Enclosure



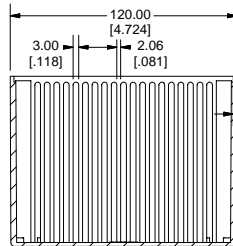
SIDE VIEW OF BOX



M3 X 0.5 - 6H x 5.75

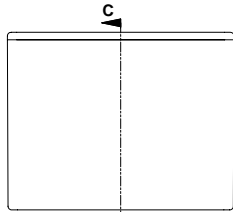


SECTION B-B

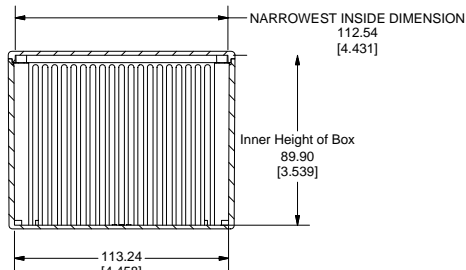


AVERAGE WALL THICKNESS
2.00
[.079]

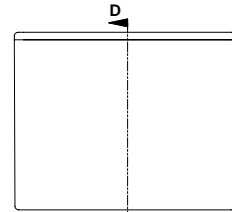
SECTION A-A



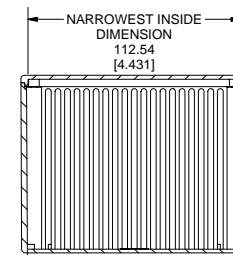
END VIEW OF ASSEMBLY



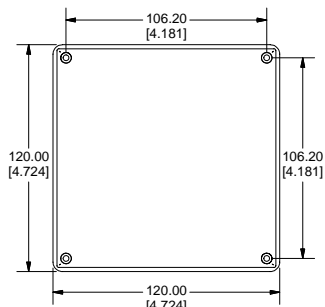
SECTION C-C



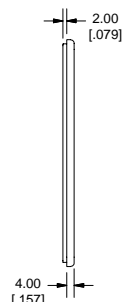
SIDE VIEW OF ASSEMBLY



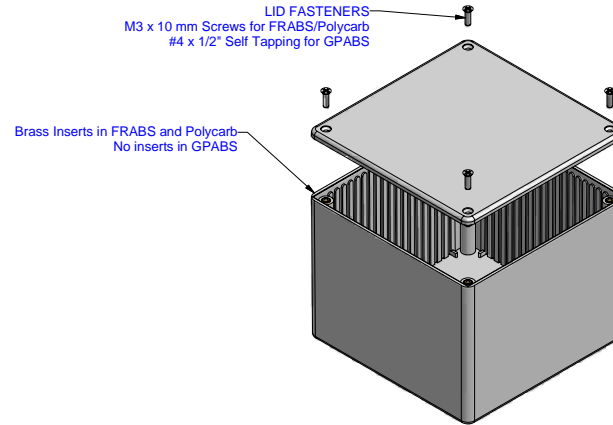
SECTION D-D



BOTTOM OF LID



SIDE VIEW OF LID



EXPLODED VIEW OF ASSEMBLY

Note:

Enclosures can be Factory Modified (Milling, Drilling, Printing etc.)
Solid models of this enclosure available in STEP or IGES Format.
Contact Factory mjm@hammondmfg.com



PART NUMBERS		
1591V Enclosures		
Material	Colour	Part Number
FR ABS UL94 - V0	Black	1591VBK
	Grey	1591VGY
	Black Shielded (Conductive Paint)	1591RVBK
GP ABS	Black	1591VSBK
	Grey	1591VSGY
Translucent Polycarbonate	Ice Blue	1591VTBU
	IR Red	1591VTRD
	Crystal Clear	1591VTCL
Accessories		
	Description	Part Number
Universal Application	PC Board Card Adapters	See Accessories Section
	Flange Kits	See Accessories Section
	Clear Lids - clear, flame retardant polycarbonate - Lid ONLY	1591VC
FR ABS & Polycarbonate	Replacement Screws, Flat head Phillips, Nickel Plated Pkg of 100	1591MS100 1591MS100BK (Black)
	Self Tapping Pkg of 100	1591TS100 1591TS100BK (Black)
Required Torque on Fasteners (no lubrication)		
M3 - 0.5 x 10mm Screws		30-40 cN*m
#4 x 0.5 Screws		30-40 cN*m